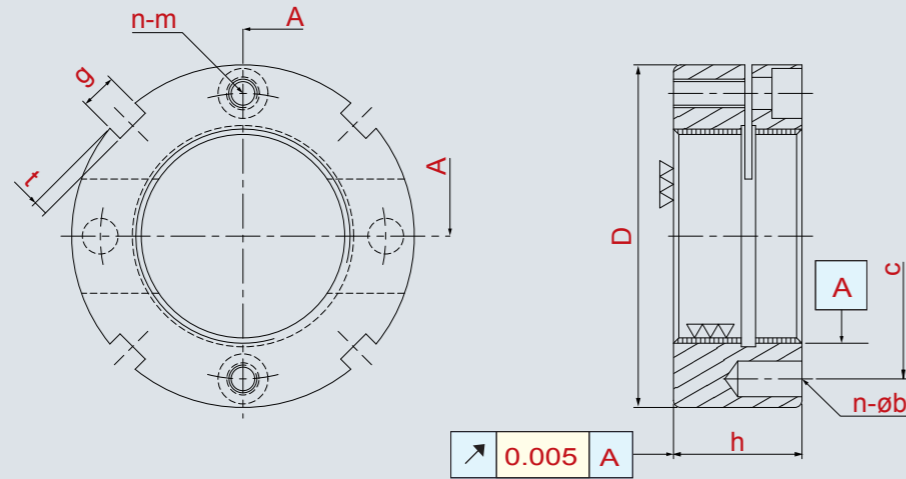


※ Screws included with this model.



YSLK locknut uses steel's elasticity characteristics to securely fix the locking nut in the axial direction. This product is especially suited to space restricted applications, or high contamination working environments where the nut could potentially become loosened more easily.

- Material Composition: SCM440(42CrMo4)
- Hardness: HRC28°~32°
- Thread Accuracy: ISO 4H
- Manufacturing Method: High Precision Turning
- Run Out: 0.005mm



## YSLK

## YSLK

Thread	D	h	g	t	n-m	c	n-øb	MAX. Nm	Thread	D	h	g	t	n-m	c	n-øb	MAX. Nm
YSLK-M16 x 1.5P	34	14	4	2	2-M4	24	2-Ø4	3.5	YSLK-M80 x 2.0P	110	24	8	3.5	6-M6	95	2-Ø8	8
YSLK-M17 x 1.0P	37	16	4	2	2-M4	26	2-Ø4	3.5	YSLK-M85 x 2.0P	115	24	8	3.5	6-M6	100	2-Ø8	8
YSLK-M18 x 1.5P	38	16	4	2	2-M4	28	2-Ø4	3.5	YSLK-M90 x 2.0P	120	26	10	4	6-M6	105	2-Ø8	8
YSLK-M20 x 1.0P	40	16	4	2	2-M4	30	2-Ø4	3.5	YSLK-M95 x 2.0P	125	26	10	4	6-M6	110	2-Ø8	8
YSLK-M20 x 1.5P	40	16	4	2	2-M4	30	2-Ø4	3.5	YSLK-M100 x 2.0P	130	26	10	4	6-M6	115	2-Ø8	8
YSLK-M25 x 1.5P	45	18	5	2	2-M4	35	2-Ø5	3.5	YSLK-M105 x 2.0P	135	28	10	4	6-M6	120	2-Ø8	8
YSLK-M30 x 1.5P	48	18	5	2	2-M4	39	2-Ø5	3.5	YSLK-M110 x 2.0P	140	28	10	4	6-M6	125	2-Ø8	8
YSLK-M35 x 1.5P	53	18	5	2	2-M4	44	2-Ø5	3.5	YSLK-M115 x 2.0P	145	28	10	4	6-M6	130	2-Ø8	8
YSLK-M40 x 1.5P	58	20	6	2.5	2-M4	49	2-Ø5	3.5	YSLK-M120 x 2.0P	155	30	12	5	6-M6	136	2-Ø8	8
YSLK-M45 x 1.5P	68	20	6	2.5	2-M4	57	2-Ø6	3.5	YSLK-M125 x 2.0P	160	30	12	5	6-M6	140	2-Ø8	8
YSLK-M50 x 1.5P	70	20	6	2.5	2-M4	60	2-Ø6	3.5	YSLK-M130 x 2.0P	165	30	12	5	6-M6	148	2-Ø8	8
YSLK-M55 x 1.5P	75	22	7	3	2-M4	65	2-Ø6	3.5	YSLK-M135 x 2.0P	170	32	12	5	6-M6	153	2-Ø8	8
YSLK-M55 x 2.0P	75	22	7	3	2-M4	65	2-Ø6	3.5	YSLK-M140 x 2.0P	180	32	12	5	6-M6	160	2-Ø10	8
YSLK-M60 x 1.5P	84	22	7	3	2-M5	72	2-Ø6	4.5	YSLK-M145 x 2.0P	185	32	12	5	6-M6	165	2-Ø10	8
YSLK-M60 x 2.0P	84	22	7	3	2-M5	72	2-Ø6	4.5	YSLK-M150 x 2.0P	190	32	12	5	6-M6	170	2-Ø10	8
YSLK-M65 x 1.5P	88	22	7	3	2-M5	77	2-Ø6	4.5	YSLK-M155 x 2.0P	195	34	14	6	6-M8	175	2-Ø10	18
YSLK-M65 x 2.0P	88	22	7	3	2-M5	77	2-Ø6	4.5	YSLK-M160 x 3.0P	205	34	14	6	6-M8	178	2-Ø10	18
YSLK-M70 x 1.5P	95	24	8	3.5	2-M5	82	2-Ø7	4.5	YSLK-M165 x 3.0P	210	34	14	6	6-M8	184	2-Ø10	18
YSLK-M70 x 2.0P	95	24	8	3.5	2-M5	82	2-Ø7	4.5	YSLK-M170 x 3.0P	215	34	14	6	6-M8	193	2-Ø10	18
YSLK-M75 x 1.5P	100	24	8	3.5	6-M5	87	2-Ø7	4.5	YSLK-M180 x 3.0P	230	36	16	7	6-M8	205	2-Ø10	18
YSLK-M75 x 2.0P	100	24	8	3.5	6-M5	87	2-Ø7	4.5	YSLK-M190 x 3.0P	240	36	16	7	6-M8	215	2-Ø10	18
									YSLK-M200 x 3.0P	245	38	16	7	6-M8	223	2-Ø10	18