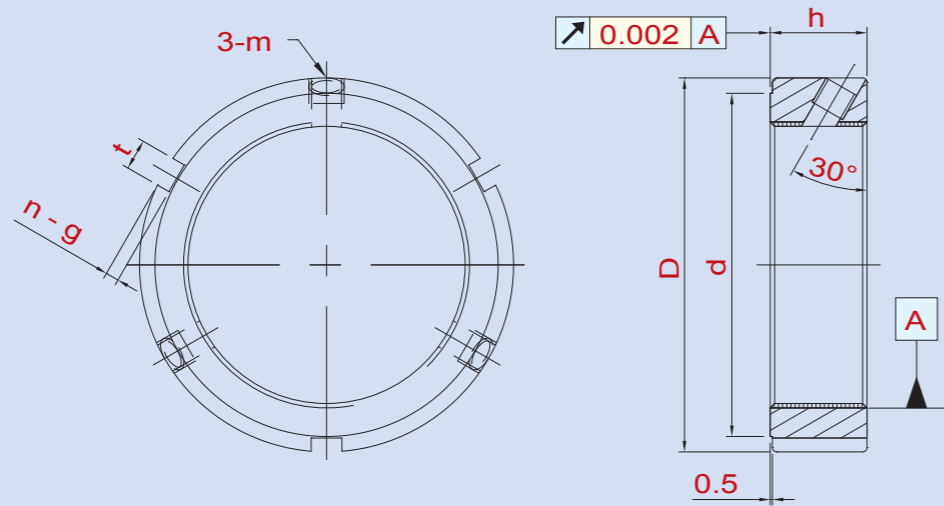


YSF

YSF



## YSF Flank Locking

The YSF Series locknuts employ 30°, 3 point locking. The outstanding design of the brass threads are perfectly matched and prevent any loosening whatsoever. 30° design locking screws also reduce torque on this product.

- Material Composition: SCM440(42CrMo4)
- Hardness: HRC28°~32°
- Thread Accuracy: ISO 4H
- Manufacturing Method: High Precision Grinding
- Run Out: M14~200: 0.002mm
- Thread Accuracy: ISO 4H
- Manufacturing Method: High Precision Turning
- Run Out: M14~200: 0.005mm  
M210~300: 0.007mm



Thread	D	h	d	n - g x t	m	MAX. Nm	Thread	D	h	d	n - g x t	m	MAX. Nm
YSF M14 x 1.5	30	14	25	3-4 x 2	M5	4.5	YSF M80 x 2	105	24	96	3-8 x 3.5	M8	18.0
YSF M15 x 1	30	14	25	3-4 x 2	M5	4.5	YSF M85 x 2	110	24	102	6-8 x 3.5	M8	18.0
YSF M16 x 1.5	30	14	25	3-4 x 2	M5	4.5	YSF M90 x 2	120	26	108	6-10 x 4	M8	18.0
YSF M17 x 1	32	16	27	3-4 x 2	M5	4.5	YSF M95 x 2	125	26	113	6-10 x 4	M8	18.0
YSF M18 x 1.5	32	16	27	3-4 x 2	M5	4.5	YSF M100 x 2	130	26	118	6-10 x 4	M8	18.0
YSF M20 x 1	38	16	33	3-4 x 2	M6	4.5	YSF M105 x 2	140	28	125	6-10 x 4	M10	35.0
YSF M20 x 1.5	38	16	33	3-4 x 2	M6	8.0	YSF M110 x 2	145	28	132	6-10 x 4	M10	35.0
YSF M22 x 1.5	38	16	33	3-4 x 2	M6	8.0	YSF M115 x 2	150	28	137	6-10 x 4	M10	35.0
YSF M24 x 1.5	38	18	33	3-5 x 2	M6	8.0	YSF M120 x 2	155	30	142	6-12 x 5	M10	35.0
YSF M25 x 1.5	38	18	33	3-5 x 2	M6	8.0	YSF M125 x 2	160	30	147	6-12 x 5	M10	35.0
YSF M27 x 1.5	40	18	35	3-5 x 2	M6	8.0	YSF M130 x 2	165	30	152	6-12 x 5	M10	35.0
YSF M30 x 1.5	45	18	40	3-5 x 2	M6	8.0	YSF M135 x 2	175	32	160	6-12 x 5	M10	35.0
YSF M33 x 1.5	50	18	45	3-5 x 2	M6	8.0	YSF M140 x 2	180	32	165	6-12 x 5	M10	35.0
YSF M35 x 1.5	52	18	47	3-5 x 2	M8	18.0	YSF M145 x 2	190	32	175	6-12 x 5	M10	35.0
YSF M36 x 1.5	52	18	47	3-5 x 2	M8	18.0	YSF M150 x 2	195	32	180	6-12 x 5	M10	35.0
YSF M39 x 1.5	58	20	52	3-6 x 2.5	M8	18.0	YSF M155 x 3	200	34	180	6-14 x 6	M10	35.0
YSF M40 x 1.5	58	20	52	3-6 x 2.5	M8	18.0	YSF M160 x 3	210	34	190	6-14 x 6	M10	35.0
YSF M42 x 1.5	62	20	56	3-6 x 2.5	M8	18.0	YSF M165 x 3	210	34	190	6-14 x 6	M10	35.0
YSF M45 x 1.5	65	20	59	3-6 x 2.5	M8	18.0	YSF M170 x 3	220	34	200	6-14 x 6	M10	35.0
YSF M48 x 1.5	70	20	64	3-6 x 2.5	M8	18.0	YSF M180 x 3	230	36	205	6-16 x 7	M12	60.0
YSF M50 x 1.5	70	20	64	3-6 x 2.5	M8	18.0	YSF M190 x 3	240	36	215	6-16 x 7	M12	60.0
YSF M52 x 1.5	73	22	68	3-7 x 3	M8	18.0	YSF M200 x 3	250	38	225	6-16 x 7	M12	60.0
YSF M55 x 1.5	75	22	68	3-7 x 3	M8	18.0	YSF M210 x 3	260	38	245	6-16 x 7	M12	60.0
YSF M55 x 2	75	22	68	3-7 x 3	M8	18.0	YSF M220 x 3	270	38	255	6-16 x 7	M12	60.0
YSF M56 x 2	75	22	68	3-7 x 3	M8	18.0	YSF M230 x 3	280	40	258	6-16 x 9	M12	60.0
YSF M60 x 2	80	22	73	3-7 x 3	M8	18.0	YSF M240 x 3	290	40	268	6-16 x 9	M12	60.0
YSF M64 x 2	85	22	78	3-7 x 3	M8	18.0	YSF M250 x 3	300	40	278	6-16 x 9	M12	60.0
YSF M65 x 2	85	22	78	3-7 x 3	M8	18.0	YSF M260 x 4	310	40	288	6-20 x 10	M14	100.0
YSF M68 x 2	92	24	84	3-8 x 3.5	M8	18.0	YSF M270 x 4	320	40	298	6-20 x 10	M14	100.0
YSF M70 x 2	92	24	84	3-8 x 3.5	M8	18.0	YSF M280 x 4	330	40	308	6-20 x 10	M14	100.0
YSF M72 x 2	94	24	86	3-8 x 3.5	M8	18.0	YSF M290 x 4	340	42	315	6-22 x 11	M14	100.0
YSF M75 x 2	98	24	90	3-8 x 3.5	M8	18.0	YSF M300 x 4	350	42	325	6-22 x 11	M14	100.0
YSF M76 x 2	98	24	90	3-8 x 3.5	M8	18.0							