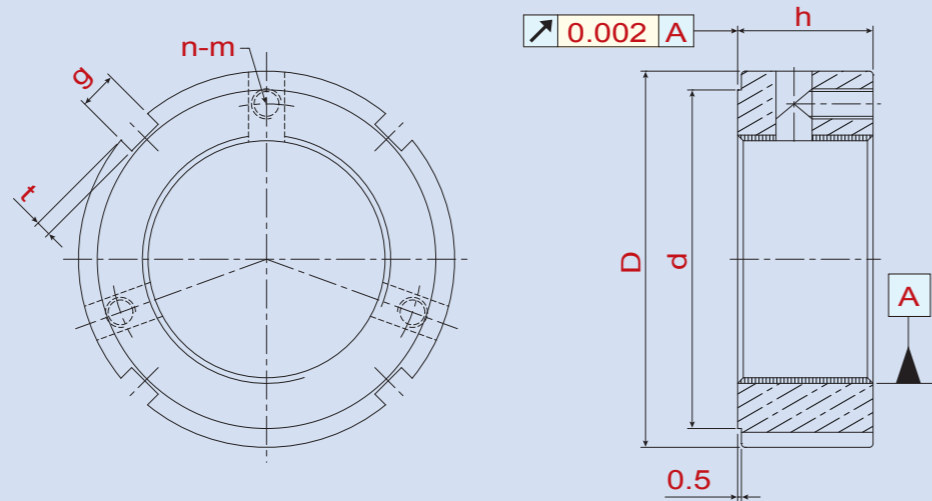


YSA



YSA Axial Locking

This locknut employs 3 way axial locking with the same thickness as the YSF series. 3 way axial locking is especially applicable to assembly work within special space constraints.

- Material Composition: SCM440(42CrMo4)
- Hardness: HRC28°~32°
- Thread Accuracy: ISO 4H
- Manufacturing Method: High Precision Grinding
- Run Out
M14~200: 0.002mm
- Thread Accuracy: ISO 4H
- Manufacturing Method: High Precision Turning
- Run Out
M14~200: 0.005mm
M210~300: 0.007mm



YSA

Thread	D	h	g	t	d	n - m	MAX. Nm	Thread	D	h	g	t	d	n - m	MAX. Nm
YSA M14 x 1.5	30	14	4	2	25	2 - M4	3.5	YSA M80 x 2	105	24	8	3.5	96	3 - M8	18.0
YSA M15 x 1	30	14	4	2	25	2 - M4	3.5	YSA M85 x 2	110	24	8	3.5	102	3 - M8	18.0
YSA M16 x 1.5	30	14	4	2	25	2 - M4	3.5	YSA M90 x 2	120	26	10	4	108	3 - M8	18.0
YSA M17 x 1	32	16	4	2	27	2 - M4	3.5	YSA M95 x 2	125	26	10	4	113	3 - M8	18.0
YSA M18 x 1.5	32	16	4	2	27	3 - M4	3.5	YSA M100 x 2	130	26	10	4	118	3 - M8	18.0
YSA M20 x 1	38	16	4	2	33	3 - M4	3.5	YSA M105 x 2	140	28	12	5	125	3 - M8	18.0
YSA M20 x 1.5	38	16	4	2	33	3 - M4	3.5	YSA M110 x 2	145	28	12	5	132	3 - M8	18.0
YSA M22 x 1.5	38	16	4	2	33	3 - M4	3.5	YSA M115 x 2	150	28	12	5	137	3 - M8	18.0
YSA M24 x 1.5	38	18	5	2	33	3 - M4	3.5	YSA M120 x 2	155	30	12	5	142	3 - M8	18.0
YSA M25 x 1.5	38	18	5	2	33	3 - M4	3.5	YSA M125 x 2	160	30	12	5	147	3 - M8	18.0
YSA M27 x 1.5	40	18	5	2	35	3 - M4	3.5	YSA M130 x 2	165	30	12	5	152	3 - M8	18.0
YSA M30 x 1.5	45	18	5	2	40	3 - M4	3.5	YSA M135 x 2	175	32	14	6	160	3 - M10	35.0
YSA M33 x 1.5	50	18	5	2	45	3 - M4	3.5	YSA M140 x 2	180	32	14	6	165	3 - M10	35.0
YSA M35 x 1.5	52	18	5	2	47	3 - M6	8.0	YSA M145 x 2	190	32	14	6	175	3 - M10	35.0
YSA M36 x 1.5	52	18	5	2	47	3 - M6	8.0	YSA M150 x 2	195	32	14	6	180	3 - M10	35.0
YSA M39 x 1.5	58	20	6	2.5	52	3 - M6	8.0	YSA M155 x 3	200	34	16	7	180	3 - M10	35.0
YSA M40 x 1.5	58	20	6	2.5	52	3 - M6	8.0	YSA M160 x 3	210	34	16	7	190	3 - M10	35.0
YSA M42 x 1.5	62	20	6	2.5	56	3 - M6	8.0	YSA M165 x 3	210	34	16	7	190	3 - M10	35.0
YSA M45 x 1.5	65	20	6	2.5	59	3 - M6	8.0	YSA M170 x 3	220	34	16	7	200	3 - M10	35.0
YSA M48 x 1.5	70	20	6	2.5	64	3 - M6	8.0	YSA M180 x 3	230	36	18	8	205	3 - M12	60.0
YSA M50 x 1.5	70	20	6	2.5	64	3 - M6	8.0	YSA M190 x 3	240	36	18	8	215	3 - M12	60.0
YSA M52 x 1.5	73	22	7	3	68	3 - M6	8.0	YSA M200 x 3	250	38	18	8	225	3 - M12	60.0
YSA M55 x 1.5	75	22	7	3	68	3 - M6	8.0	YSA-M210 x 3	260	38	18	8	240	3 - M12	60.0
YSA M55 x 2	75	22	7	3	68	3 - M6	8.0	YSA-M220 x 3	270	38	18	8	250	3 - M12	60.0
YSA M56 x 2	75	22	7	3	68	3 - M6	8.0	YSA-M230 x 3	280	40	20	9	258	3 - M12	60.0
YSA M60 x 2	80	22	7	3	73	3 - M6	8.0	YSA-M240 x 3	290	40	20	9	268	3 - M12	60.0
YSA M64 x 2	85	22	7	3	78	3 - M6	8.0	YSA-M250 x 3	300	40	20	9	278	3 - M12	60.0
YSA M65 x 2	85	22	7	3	78	3 - M6	8.0	YSA-M260 x 4	310	40	22	10	288	3 - M14	100.0
YSA M68 x 2	92	24	8	3.5	84	3 - M8	18.0	YSA-M270 x 4	320	40	22	10	298	3 - M14	100.0
YSA M70 x 2	92	24	8	3.5	84	3 - M8	18.0	YSA-M280 x 4	330	40	22	10	308	3 - M14	100.0
YSA M72 x 2	94	24	8	3.5	86	3 - M8	18.0	YSA-M290 x 4	340	42	24	11	315	3 - M14	100.0
YSA M75 x 2	98	24	8	3.5	90	3 - M8	18.0	YSA-M300 x 4	350	42	24	11	325	3 - M14	100.0
YSA M76 x 2	98	24	8	3.5	90	3 - M8	18.0								