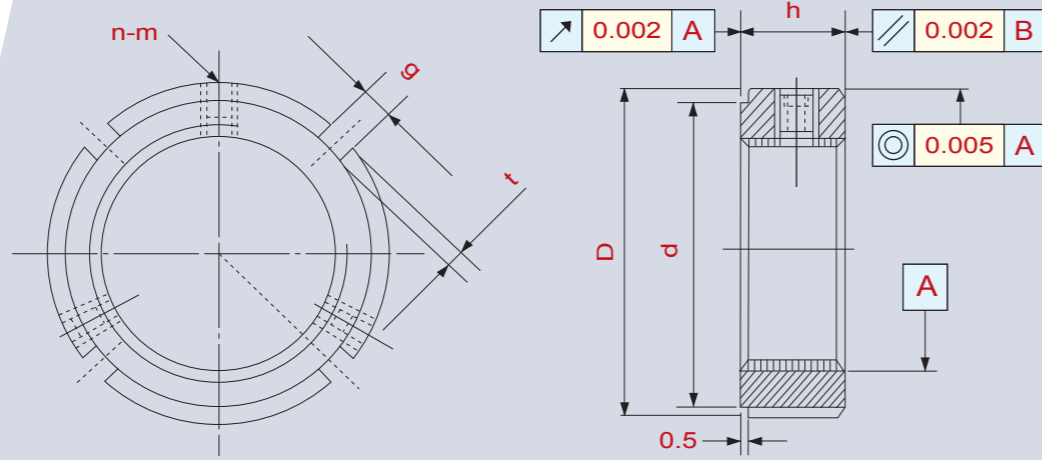


SGL-R Radial Locking

The SGL-R Series locknuts employ 3-way radial locking. Thickness is comparatively thinner than other products. This series is especially applicable for use when locknut space is limited. Aside from where other products are not usable due to space restrictions, locknut threads, clamping rim, trailing rim, and outer skirt are precision ground to conform to high precision requirements during high rpms.

- Material Composition: SCM440(42CrMo4)
- Thread Precision: ISO 4H
- Run Out: 0.002mm
- Hardness: HRC 28° ~ 32°
- Parallelism: 0.002mm
- Concentricity: 0.005mm



SGL-R

Thread	D	h	g	t	d	n - m	MAX. Nm	Thread	D	h	g	t	d	n - m	MAX. Nm
SGL-R M8 x 0.75	16	8	3	2	11	2 - M4	3.5	SGL-R M64 x 2	85	16	7	3	78	3 - M8	18.0
SGL-R M10 x 0.75	18	8	3	2	13	2 - M4	3.5	SGL-R M65 x 2	85	16	7	3	78	3 - M8	18.0
SGL-R M10 x 1	18	8	3	2	13	2 - M4	3.5	SGL-R M68 x 2	92	18	8	3.5	84	3 - M8	18.0
SGL-R M12 x 1	20	8	3	2	15	2 - M4	3.5	SGL-R M70 x 2	92	18	8	3.5	84	3 - M8	18.0
SGL-R M12 x 1.25	20	8	3	2	15	2 - M4	3.5	SGL-R M72 x 2	95	18	8	3.5	86	3 - M8	18.0
SGL-R M14 x 1.5	25	8	3	2	20	2 - M4	3.5	SGL-R M75 x 2	98	18	8	3.5	90	3 - M8	18.0
SGL-R M15 x 1	25	8	3	2	20	2 - M4	3.5	SGL-R M76 x 2	100	18	8	3.5	92	3 - M8	18.0
SGL-R M16 x 1.5	28	10	4	2	23	2 - M5	4.5	SGL-R M80 x 2	105	18	8	3.5	96	3 - M8	18.0
SGL-R M17 x 1	28	10	4	2	23	2 - M5	4.5	SGL-R M85 x 2	110	18	8	3.5	102	3 - M8	18.0
SGL-R M18 x 1.5	30	10	4	2	25	2 - M5	4.5	SGL-R M90 x 2	120	20	10	4	108	3 - M8	18.0
SGL-R M20 x 1	32	10	4	2	27	3 - M5	4.5	SGL-R M95 x 2	125	20	10	4	113	3 - M8	18.0
SGL-R M20 x 1.5	32	10	4	2	27	3 - M5	4.5	SGL-R M100 x 2	130	20	10	4	118	3 - M8	18.0
SGL-R M22 x 1.5	35	10	4	2	30	3 - M5	4.5	SGL-R M105 x 2	140	22	12	5	125	3 - M8	18.0
SGL-R M24 x 1.5	38	12	5	2	33	3 - M6	8.0	SGL-R M110 x 2	145	22	12	5	132	3 - M8	18.0
SGL-R M25 x 1.5	38	12	5	2	33	3 - M6	8.0	SGL-R M115 x 2	150	22	12	5	137	3 - M8	18.0
SGL-R M27 x 1.5	42	12	5	2	37	3 - M6	8.0	SGL-R M120 x 2	155	24	12	5	142	3 - M8	18.0
SGL-R M30 x 1.5	45	12	5	2	40	3 - M6	8.0	SGL-R M125 x 2	160	24	12	5	147	3 - M8	18.0
SGL-R M33 x 1.5	52	12	5	2	45	3 - M6	8.0	SGL-R M130 x 2	165	24	12	5	152	3 - M8	18.0
SGL-R M35 x 1.5	52	12	5	2	47	3 - M6	8.0	SGL-R M135 x 2	175	26	14	6	160	3 - M10	35.0
SGL-R M36 x 1.5	55	14	6	2.5	49	3 - M6	8.0	SGL-R M140 x 2	180	26	14	6	165	3 - M10	35.0
SGL-R M39 x 1.5	58	14	6	2.5	52	3 - M6	8.0	SGL-R M145 x 2	190	26	14	6	175	3 - M10	35.0
SGL-R M40 x 1.5	58	14	6	2.5	52	3 - M6	8.0	SGL-R M150 x 2	195	26	14	6	180	3 - M10	35.0
SGL-R M42 x 1.5	62	14	6	2.5	56	3 - M6	8.0	SGL-R M155 x 3	200	28	16	7	180	3 - M10	35.0
SGL-R M45 x 1.5	65	14	6	2.5	59	3 - M6	8.0	SGL-R M160 x 3	210	28	16	7	190	3 - M10	35.0
SGL-R M48 x 1.5	68	14	6	2.5	62	3 - M6	8.0	SGL-R M165 x 3	210	28	16	7	190	3 - M10	35.0
SGL-R M50 x 1.5	70	14	6	2.5	64	3 - M8	18.0	SGL-R M170 x 3	220	28	16	7	200	3 - M10	35.0
SGL-R M52 x 1.5	73	16	7	3	66	3 - M8	18.0	SGL-R M180 x 3	230	30	18	8	205	3 - M12	60.0
SGL-R M55 x 2	75	16	7	3	68	3 - M8	18.0	SGL-R M190 x 3	240	30	18	8	215	3 - M12	60.0
SGL-R M56 x 2	77	16	7	3	70	3 - M8	18.0	SGL-R M200 x 3	250	32	18	8	225	3 - M12	60.0
SGL-R M60 x 2	80	16	7	3	73	3 - M8	18.0								