

SGL-K Clasp Locking

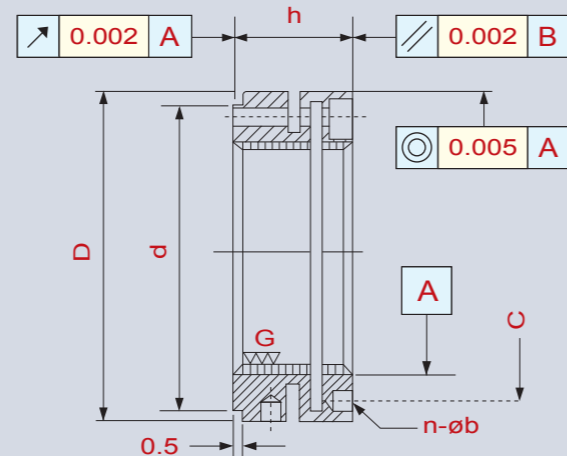
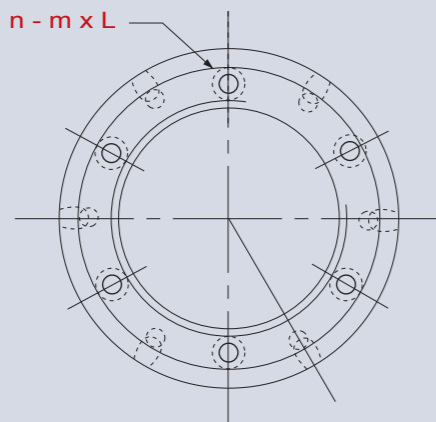
The SGL-K Series locknuts utilize the elasticity of the steel body itself, axial locking, and forced locking. With locking capabilities more than three times higher compared to traditional locknuts, this series is aimed at harsh working conditions where locknuts are easily loosened.

Locknut threads, clamping rim, trailing rim, and outer skirt are precision ground to conform to high precision requirements during high rpms.

- Material Composition: SCM440(42CrMo4)
- Thread Precision: ISO 4H
- Run Out: 0.002mm
- Hardness: HRC 28° ~ 32°
- Parallelism: 0.002mm
- Concentricity: 0.005mm



※ Screws included with this model.
n - m x L



Thread	D	h	d	n - m x L	n	b	c	MAX. Nm	Thread	D	h	d	n - m x L	n	b	c	MAX. Nm
SGL-K M16 x 1.5	34	18	29	4 - M4 x 12	4	4	24	3.5	SGL-K M65 x 1.5	88	28	84	6 - M5 x 20	6	6	77	4.5
SGL-K M17 x 1	37	18	32	4 - M4 x 12	4	4	26	3.5	SGL-K M65 x 2	88	28	84	6 - M5 x 20	6	6	77	4.5
SGL-K M18 x 1.5	38	18	33	4 - M4 x 12	4	4	28	3.5	SGL-K M68 x 1.5	93	28	87	6 - M5 x 20	6	7	80	4.5
SGL-K M20 x 1	40	18	35	4 - M4 x 12	4	4	30	3.5	SGL-K M70 x 1.5	95	28	89	6 - M5 x 20	6	7	82	4.5
SGL-K M20 x 1.5	40	18	35	4 - M4 x 12	4	4	30	3.5	SGL-K M70 x 2	95	28	89	6 - M5 x 20	6	7	82	4.5
SGL-K M22 x 1.5	42	18	37	4 - M4 x 12	4	4	32	3.5	SGL-K M72 x 1.5	97	28	91	6 - M5 x 20	6	7	84	4.5
SGL-K M24 x 1.5	44	18	39	4 - M4 x 12	4	4	34	3.5	SGL-K M75 x 1.5	100	28	94	6 - M5 x 20	6	7	87	4.5
SGL-K M25 x 1.5	45	20	40	4 - M4 x 14	4	5	35	3.5	SGL-K M75 x 2	100	28	94	6 - M5 x 20	6	7	87	4.5
SGL-K M26 x 1.5	45	20	40	4 - M4 x 14	4	5	35	3.5	SGL-K M80 x 2	110	32	103	6 - M6 x 22	6	8	95	8
SGL-K M28 x 1.5	46	20	43	4 - M4 x 14	4	5	37	3.5	SGL-K M85 x 2	115	32	108	6 - M6 x 22	6	8	100	8
SGL-K M30 x 1.5	48	20	45	4 - M4 x 14	4	5	39	3.5	SGL-K M90 x 2	120	32	113	6 - M6 x 22	6	8	105	8
SGL-K M32 x 1.5	50	22	47	4 - M4 x 16	4	5	41	3.5	SGL-K M95 x 2	125	32	118	6 - M6 x 22	6	8	110	8
SGL-K M35 x 1.5	53	22	50	4 - M4 x 16	4	5	44	3.5	SGL-K M100 x 2	130	32	123	6 - M6 x 22	6	8	115	8
SGL-K M38 x 1.5	56	22	53	4 - M4 x 16	4	5	47	3.5	SGL-K M105 x 2	135	32	128	6 - M6 x 22	6	8	120	8
SGL-K M40 x 1.5	58	22	55	4 - M4 x 16	4	5	49	3.5	SGL-K M110 x 2	140	32	133	6 - M6 x 22	6	8	125	8
SGL-K M42 x 1.5	60	22	55	4 - M4 x 16	4	5	51	3.5	SGL-K M115 x 2	145	34	137	6 - M6 x 22	6	8	130	8
SGL-K M45 x 1.5	68	22	63	6 - M4 x 18	6	6	57	3.5	SGL-K M120 x 2	155	36	146	6 - M6 x 25	6	8	136	8
SGL-K M48 x 1.5	69	25	65	6 - M4 x 18	6	6	58	3.5	SGL-K M125 x 2	160	36	150	6 - M6 x 25	6	8	140	8
SGL-K M50 x 1.5	70	25	66	6 - M4 x 18	6	6	60	3.5	SGL-K M130 x 2	165	36	155	6 - M6 x 25	6	8	148	8
SGL-K M52 x 1.5	72	25	68	6 - M4 x 18	6	6	62	3.5	SGL-K M140 x 2	180	38	168	8 - M6 x 25	8	10	160	8
SGL-K M55 x 1.5	75	25	71	6 - M4 x 18	6	6	65	3.5	SGL-K M150 x 2	190	38	178	8 - M6 x 25	8	10	170	8
SGL-K M55 x 2	75	25	71	6 - M4 x 18	6	6	65	3.5	SGL-K M160 x 3	205	40	190	8 - M8 x 30	8	10	178	18
SGL-K M58 x 1.5	82	26	77	6 - M5 x 20	6	6	70	4.5	SGL-K M170 x 3	215	40	200	8 - M8 x 30	8	10	193	18
SGL-K M60 x 1.5	84	26	79	6 - M5 x 20	6	6	72	4.5	SGL-K M180 x 3	230	40	213	8 - M8 x 30	8	10	205	18
SGL-K M60 x 2	84	26	79	6 - M5 x 20	6	6	72	4.5	SGL-K M190 x 3	240	40	223	8 - M8 x 30	8	10	215	18
SGL-K M62 x 1.5	86	28	82	6 - M5 x 20	6	6	75	4.5	SGL-K M200 x 3	245	40	230	8 - M8 x 30	8	10	223	18